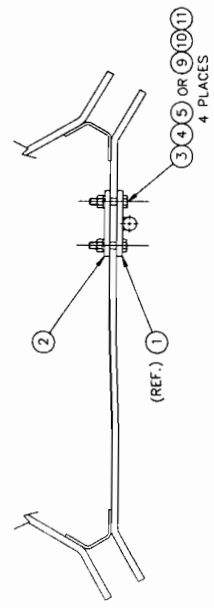
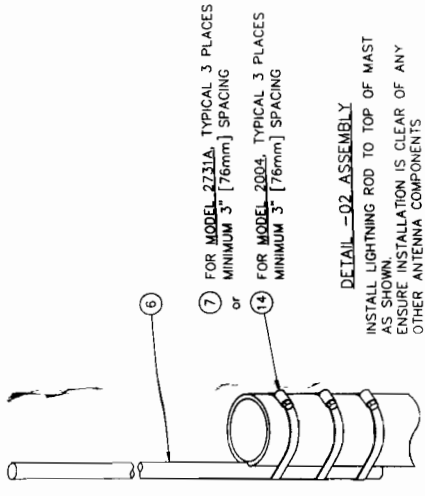


NOTES (UNLESS OTHERWISE SPECIFIED)
 1 REMOVE BURRS AND SHARP EDGES
 2 DIMENSIONS APPLY BEFORE PLATING
 3 INTERPRET PER ANSI Y14.5M-1994

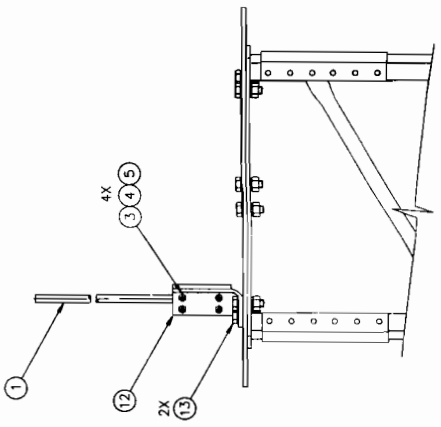


DETAIL -01 ASSEMBLY
 INSTALL LIGHTNING ROD ONTO TOP GUY BRACKET ON TOWER AS SHOWN. ENSURE INSTALLED MATERIAL IS CLEAR OF ANY OTHER ANTENNA COMPONENTS.

DETAIL -03 ASSEMBLY
 DETAIL -03 SAME AS DETAIL -01 EXCEPT PLATED HARDWARE (SERVAGARD) HAS BEEN USED



DETAIL -02 ASSEMBLY
 INSTALL LIGHTNING ROD TO TOP OF MAST AS SHOWN. ENSURE INSTALLATION IS CLEAR OF ANY OTHER ANTENNA COMPONENTS



DETAIL -04 ASSEMBLY
 INSTALL LIGHTNING ROD TO MAST TOP PLATE AS SHOWN. ENSURE INSTALLATION IS CLEAR OF ANY OTHER ANTENNA COMPONENTS

REV	DESCRIPTION	DATE	APPROVED
N	ADDED DETAIL -04	11 JAN 03	LC
P	REVISE -02 CLAMPING (EQD 5001204 CLASS B1)	17 DEC 09	LT

QTY	UNIT	DESCRIPTION	
0	0	14 EA 1567-0010-10 HOSE CLAMP, 2-5/16" - 3-1/4"	
2	0	0	13 EA 1653-0925-09 BOLT, HH, 1/2-13X2.00 HGAL
1	0	0	12 EA 1022-2953-01 MOUNTING PLATE
0	4	0	11 EA 520-0130-02 WSHR, LK 5/16 PLT
0	4	0	10 EA 538-1200-02 NUT, HH 5/16-18 PLT
0	4	0	9 EA 532-0401-03 BOLT, HH 5/16-18 PLT
2	2	2	8 BP 1091-6190 COPY OF DRAWING
0	0	3	7 EA 1567-0010-12 HOSE CLAMP, 3-5/16" - 4-1/4"
0	1	0	6 EA 1022-2476-01 LIGHTNING ROD
4	0	0	4 EA 520-0024-01 WSHR, LK 5/16 HGAL
4	0	0	4 EA 532-0228-01 BOLT, HH 5/16-18 HGAL
0	1	0	2 EA 1001-9182-02 CLAMPING PLATE
1	1	0	1 EA 1001-9182-01 LIGHTNING ROD
0	4	0	3 EA 1001-9182-01 LIGHTNING ROD

MATERIAL	PER L.M.	FINISH
UNLESS OTHERWISE SPECIFIED DIMENSIONS ARE IN INCHES		
TOLERANCES		
1 PLACE DECIMALS ±0.1	2 PLACE DECIMALS ±0.03	3 PLACE DECIMALS ±0.010
ANGLES ±		
ALL SURFACES / FINISH		
UNLESS OTHERWISE SPECIFIED SURFACES ARE TO BE FINISHED TO A 150 GRIT FINISH		

www.oceanic.com

LIGHTNING CONDUCTOR KIT

DOCUMENT NO: **D 47TA91091-6190**

SCALE: 1=1